

Integrated Cylinder Filling Pump Skid

Description:

Cylinder filling pump skid fully assembled and tested ready for connection, comprising;

- Actuated pump suction and return valve set
- Vessel connection hoses
- Krytem TLC range of cryogenic reciprocating cylinder filling pumps
- All associated instruments & safety devices
- Pump control panel
- Line safety manifold / distribution panel (see separate data sheet)
- Weather protection hood
- Fire shield for O2 version

Features:

- Inert or O2 variants
- 420 bar design
- Upto 16.5 liquid ltrs/minute flow rate
- 30Kw max power
- Facility for buffer cylinders
- Modular package ready for connection;
 - Reduced installation time = reduced cost
 - Reduced on site work = increased safety
- Fully factory tested module prior to despatch;
 - Reduced commissioning time = reduced cost
- Easy procurement – one item / one order = faster procurement / reduced cost

Options:

- Mono, dual or variable speed pump drives
- TLM version for O2 applications



For further details please contact Ian Davies at idavies@igph.net or visit our website at www.igph.net



www.aeroflex.co.uk



www.filltech.de



www.igas-ts.com

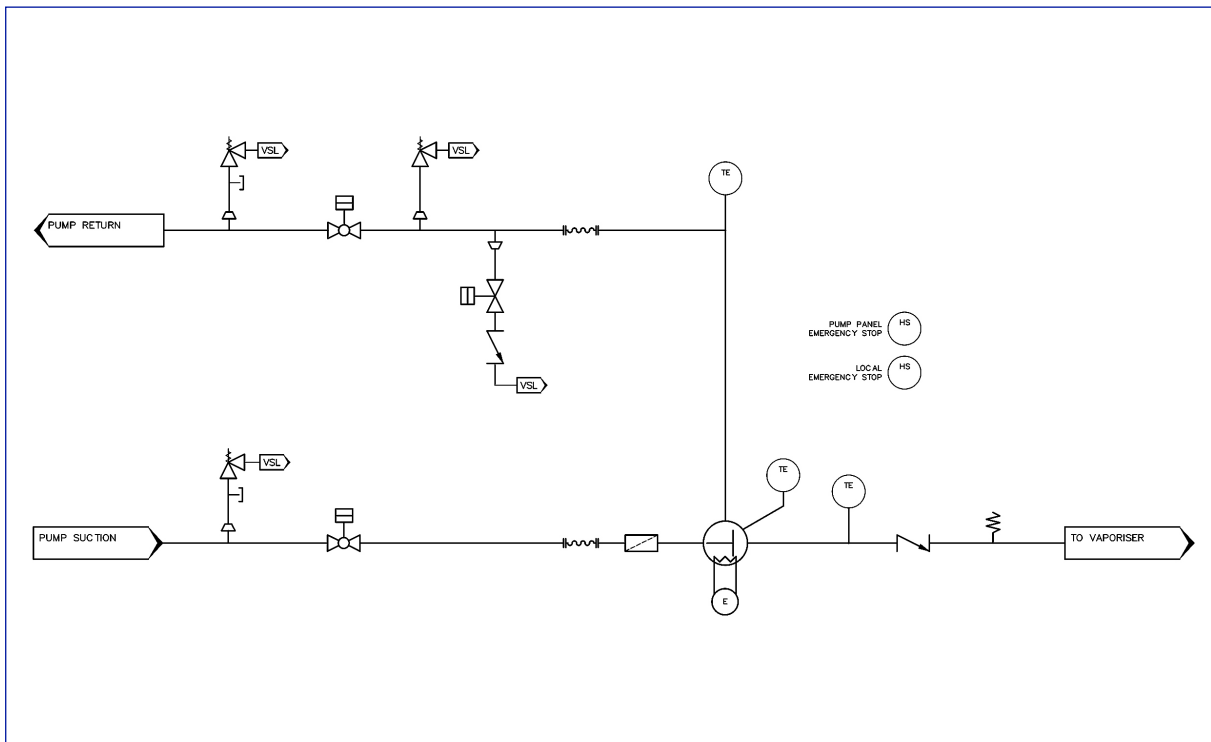


www.krytem.com



www.m-tech-gmbh.com

Integrated Cylinder Filling Pump Skid



For further details please contact Ian Davies at idavies@igph.net or visit our website at www.igph.net



www.aeroflex.co.uk



www.filltech.de



www.igas-ts.com



www.krytem.com



www.m-tech-gmbh.com