

# MPG 12 PR

## Proportional valve

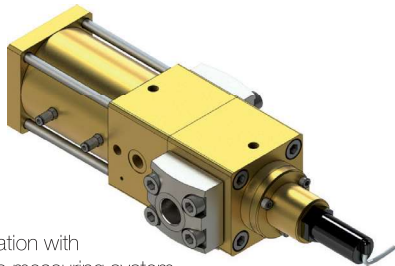


Illustration with stroke measuring system

- ♦ Medium : inert gases / rare gases / O<sub>2</sub> / CO<sub>2</sub> / air, other media on request
- ♦ Suitable for high-pressure oxygen service
- ♦ Pressure sensor connectors available as an option
- ♦ This valve is pressure balanced and close tight
- ♦ Approval : BAM / CE
- ♦ Conformity : ATEX

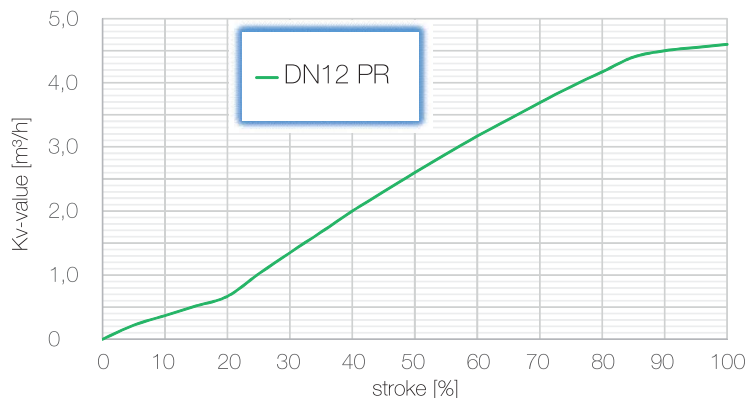
The valve type MPG 12 PR is a pressure balanced proportional valve with 12 mm seat. The position of the valve can be controlled by a standard signal, by an electro-pneumatic positioner and a stroke measuring system which detects the position of the valve.

## Technical data

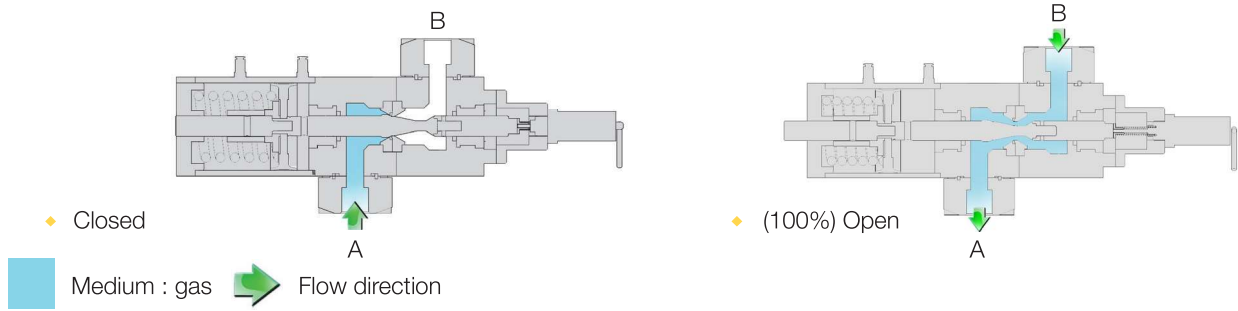
Version February 2016

♦ Pressure range	PN 420
♦ Standard connections	SW 1/2", BW 1/2", BW 3/4"
♦ Nominal diameter	DN 12
♦ Actuation	with an external positioner
♦ Pilot pressure	7 bar
♦ Pilot connections	4 mm
♦ Media temperature	from -40 °C to +80 °C
♦ Ambient temperature	from -40 °C to +60 °C
♦ Actuation time (opening / closing)	depending on set point
♦ Leak rate	10 <sup>-6</sup> mbar l/s
♦ flow direction	A → B
♦ Kvs-value	4,60 m <sup>3</sup> /h
♦ Weight	11 kg (including connection adapter)

## Flow coefficient (Kv) in relation to valve opening – diagram



# Function



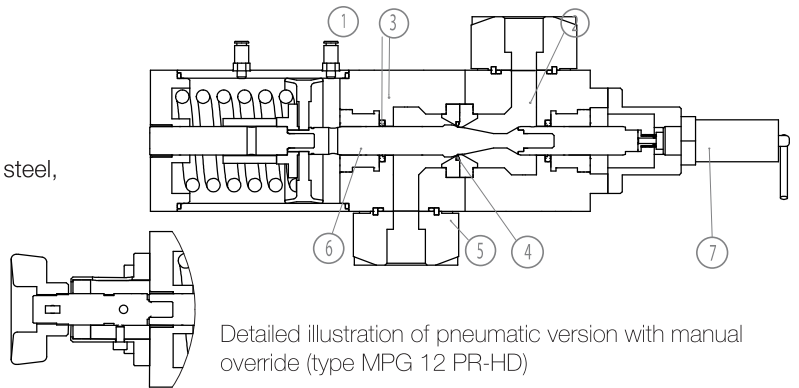
## Options with this valve type

- ◆ Connections
  - Threaded female socket (brass) : G 1/4, G 1/2, NPT 1/4, NPT 1/2
  - Weld-on end (stainless steel, Monel) : socket welding SW 1/2", butt welding BW 1/2", BW 3/4"
- ◆ Sensor ports for pressure registration / measuring
- ◆ Pneumatic version with manual override available (type MPG 12 PR-HD)
- ◆ Assembly in compact manifolds (possibility to join up to 9 valves on 1 module)
- ◆ Other options on request

## Material specification, Spare parts

Position	Description	Material
1	Spindle seal	Turcon®
2	Lower valve body	Brass
3	Upper valve body	Brass
4	Valve seat	Peek
5	Connection piece	Monel, stainless steel, brass
6	Valve spindle	Monel
7	Stroke measuring system	Aluminium

- ◆ Spare parts
  - Seal kit for standard valves: Article number 20141



## Dimensions

