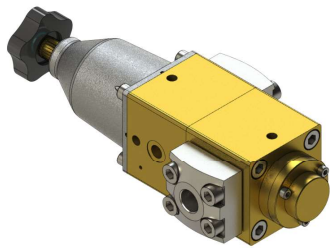


MPG 12 HD

Manual valve



- ♦ Medium : inert gases / rare gases / O₂ / CO₂ / air, other media on request
- ♦ This valve is pressure-balanced and suitable for high-pressure oxygen service
- ♦ Pressure sensor ports available as an option
- ♦ Approval : BAM

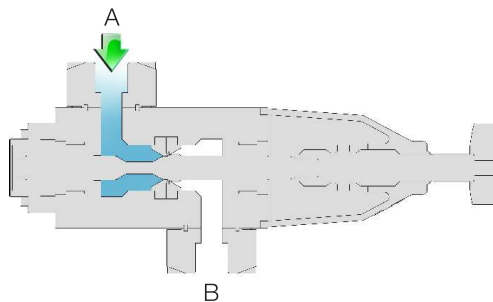
The valve type MPG 12 HD is a pressure-balanced manually operated valve with 12 mm seat. By turning a rugged and ergonomic hand wheel the valve opens and closes manually. The redesigned bonnet in stainless steel increases the operational safety of this model.

Technical data

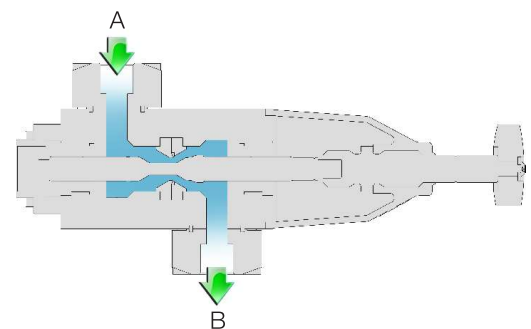
Version May 2017

- | | |
|------------------------|--|
| ♦ Pressure range | PN 420 |
| ♦ Standard connections | SW 1/2", BW 1/2", BW 3/4" |
| ♦ Nominal diameter | DN 12 |
| ♦ Actuation | Hand wheel |
| ♦ Media temperature | from -40 °C to +80 °C |
| ♦ Ambient temperature | from -40 °C to +60 °C |
| ♦ Leak rate | 10 ⁻⁶ mbar l/s |
| ♦ Flow direction | A → B B → A |
| ♦ Kv-value | 5,0 m ³ /h 4,8 m ³ /h |
| ♦ Weight | 9,5 kg (including connection adapter) |

Function



♦ Closed



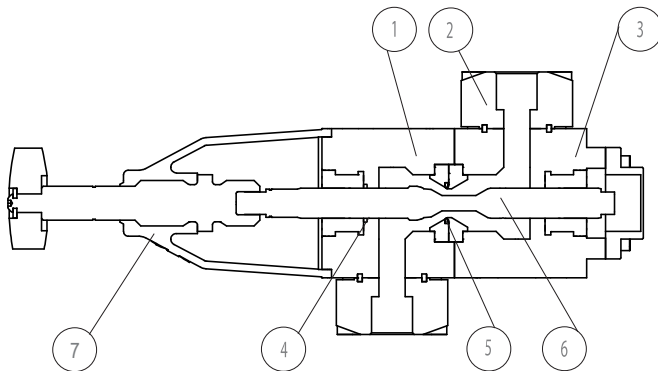
♦ Open

 Medium : gas  Flow direction

Options with this valve type

- ◆ Connections
 - Threaded female socket (brass) : G 1/4, G 1/2, NPT 1/4, NPT 1/2
 - Weld-on end (stainless steel, Monel) : socket welding SW 1/2", butt welding BW 1/2", BW 3/4"
- ◆ Assembly in compact manifolds (possibility to join up to 9 valves on 1 module)
- ◆ Sensor ports for pressure registration / measuring
- ◆ It is possible to install a regulating spindle for slow and controlled opening and closing of the valve
- ◆ Other options on request

Material specification, Spare parts



Position	Description	Material
1	Upper valve body	Brass
2	Connection piece	Monel, stainless steel, brass
3	Lower valve body	Brass
4	Spindle seal	Turcon®
5	Valve seat	Peek
6	Valve spindle	Monel
7	Bonnet	Stainless steel

- ◆ Spare parts

Seal kit for Standard valves:	Article number
	10745

Dimensions

