

## Independent filling trolley for medical oxygen applications



- ♦ Mobility
- ♦ Safety
- ♦ Automation
- ♦ Handiness

This compact filling system redefines the concept of flexibility

It combines the formerly ground-installed safety cage in a complete solution, making it possible to use the system in any place.

The integrated safety panels made of stainless steel are equipped with customer friendly mechanisms that ensure easy and safe insertion of the cylinders.



The size of each cylinder may vary due to flexible connections and a pneumatic and automatic safety fixation.

Being operated with two separate manual valves, the user can decide whether both or only one filling row should actuate.

The used material (pipework in Monel, oxygen clean valves) meets all the requirements needed for oxygen filling, even in medical applications.



m-tech gmbh has realized a solution which increases the flexibility of its customers, changing from a fixed installed filling station to a complete and moveable filling trolley that meets all standards in safety.

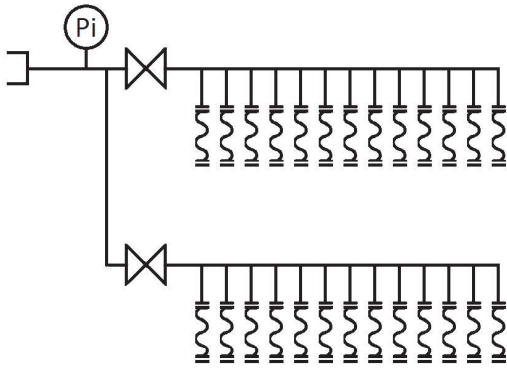
## FEATURES

- ◆ Pressure range up to 420 bar
- ◆ Safety panels with the support of balancers to facilitate the operability
- ◆ Pneumatic and automatic safety fixation of the cylinders
- ◆ Operated by two separate manual valves MPG 12 HD (easy and safe handiness)
- ◆ Suitable for oxygen applications, also in the field of medical filling
- ◆ High flexibility and mobility

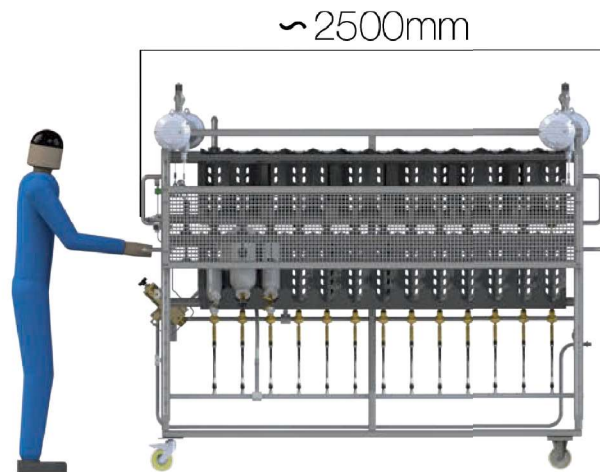
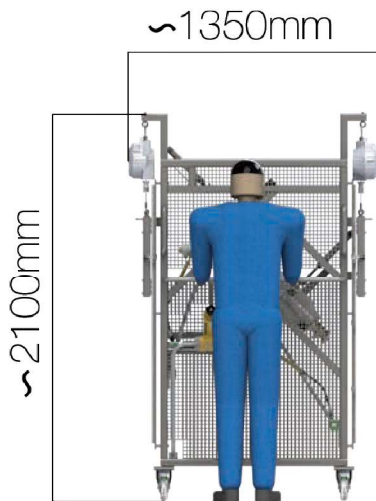
## OPTIONS

- ◆ Several types and sizes of cylinders can be filled
- ◆ Different quantities of cylinders per row can be realized
- ◆ Flexible cylinder connections are available (according to specific customer needs)
- ◆ Further components can be integrated such as balancers, pressure gauges, temperature sensors etc.

## EXEMPLARY P&ID OF A TROLLEY



## EXEMPLARY DIMENSIONS



### **m-tech gmbh**

Teslastraße 6  
DE – 74670 Forchtenberg  
Germany  
Telefon +49 (0) 7947 939-0  
Telefax +49 (0) 7947 939-010  
info@m-tech-gmbh.com

[www.m-tech-gmbh.com](http://www.m-tech-gmbh.com)

