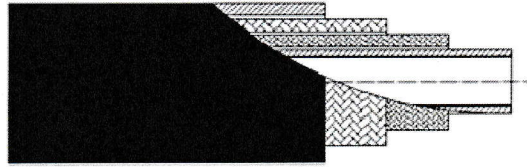


TECHNICAL SPECIFICATION SHEET



HE53-04 High Pressure Gas Hose

HE53-04



Hose Description

- 1/4" (6.35mm) N.B High Density Polymer tube (Grade HD53)
- Reinforced with 2 braids of Kevlar and stainless steel
- Covered with an anti-abrasive perforated jacket
- Approved to ISO 14113
- Fitted with Stainless steel grade 316 compression ferrules
- End connections available in stainless steel, Brass and in other alloys.

International Standards approvals

- ISO 1402 - Rubber & Plastic hoses – hydrostatic testing
- ISO 1746 - Rubber & Plastic hoses – Bend testing
- ISO 4080 - Rubber & Plastic hoses – Determination of Permeability
- ISO 7751 - Rubber & Plastic hoses – Ratio of proof & burst pressure to D.P
- ISO 6803 - Rubber & Plastic hoses – Pressure impulses = 150,000.

Bending

- Min Bend Radius 75mm

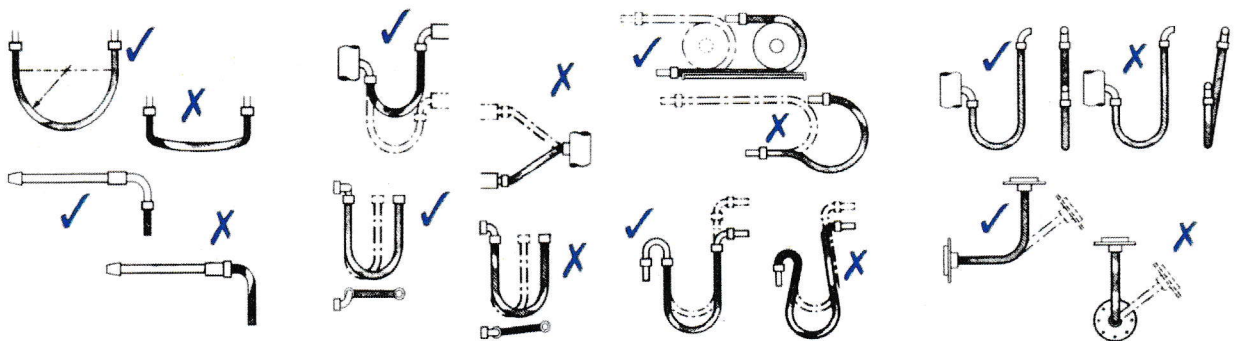
Pressures

- Maximum Test Pressure 495 Bar Pneumatic
675 Bar Hydraulic
- Minimum Burst Pressure 1800 Bar
- Max Design pressure@ 15°C 450 Bar

Hose Temperature Design

- Maximum Temperature +90 °C
- Minimum Temperature -40 °C

Design and installation considerations



Aeroflex Hose & Engineering Ltd.

Winchester House
11 Enterprise Way
Aviation Park West
Bournemouth Airport
Dorset BH23 6EW

T. 01202 895660
F. 01202 891177

www.aeroflex.co.uk

