

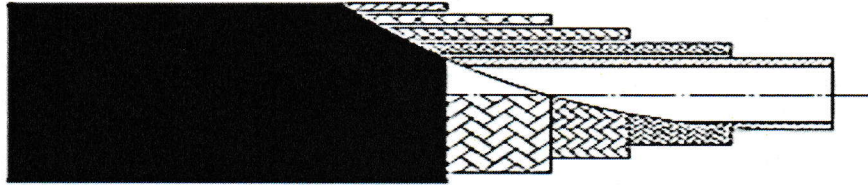
TECHNICAL SPECIFICATION SHEET



HT117-04

High Pressure Gas Hose

HT117-04



Hose Description

- 6.35mm bore hose.
- Gas Quality HT PTFE Grade 62N (DuPont)
- Triple braided, 1 Kevlar, interlayer wrap & 2 braids of Stainless steel.
- Perforated anti-abrasive outer cover
- Oxygen compatible
- This product has been designed to work at a maximum Design pressure of 420 Bar.

International Standards approvals

- ISO 1402 - Rubber & Plastic hoses – hydrostatic testing
- ISO 1746 - Rubber & Plastic hoses – Bend testing
- ISO 4080 - Rubber & Plastic hoses – Determination of Permeability
- ISO 7751 - Rubber & Plastic hoses – Ratio of proof & burst pressure to D.P
- ISO 6803 - Rubber & Plastic hoses – Pressure impulses = 150,000.

Bending

Min Static Bend Radius 75mm

Pressures

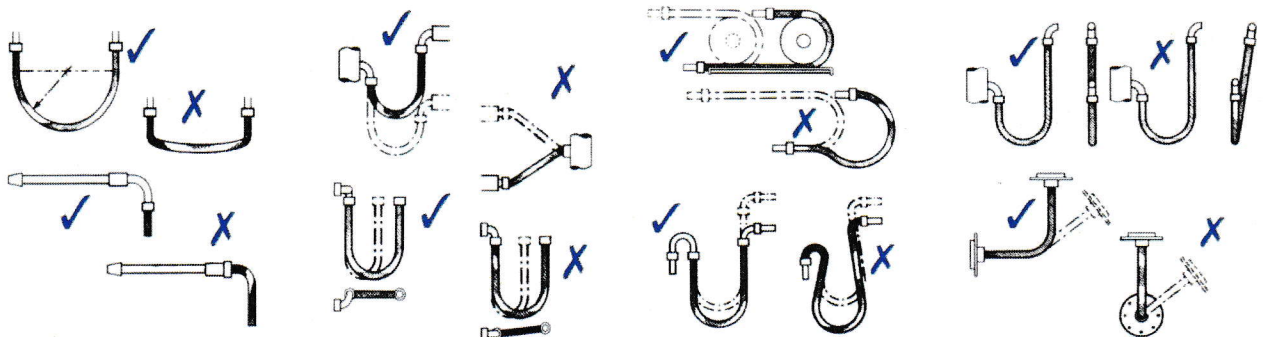
Maximum test pressure 462 Bar Pneumatic
630 Bar Hydraulic

Minimum Burst Pressure 1800 Bar

Hose Temperature Design

Maximum Temperature +65°C
Minimum Temperature -30°C

Design and installation considerations



Aeroflex Hose & Engineering Ltd.

Winchester House
11 Enterprise Way
Aviation Park West
Bournemouth Airport
Dorset BH23 6EW

T. 01202 895660
F. 01202 891177

