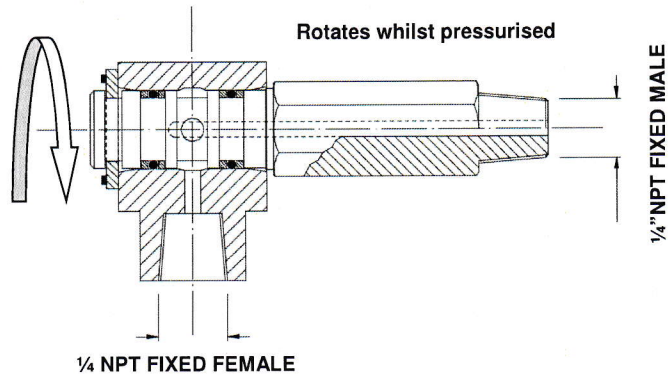
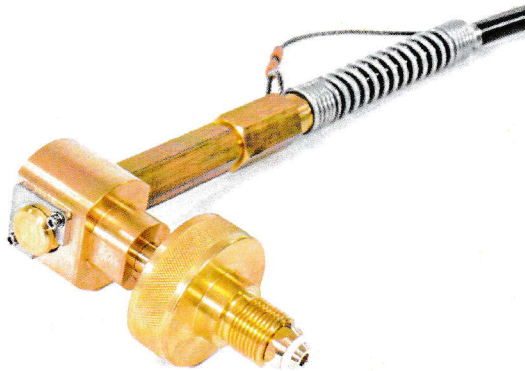


High Pressure Single axis cylinder connector (90° Swivel) - SAS-100-XXX-X



SAS-100-XXX-X

Hose Description

- Cylinder Connector suitable for industrial and medical gas filling solutions
- 90 Degrees orientation
- Cylinder connectors available with fitted hand wheels in blue resin
- This product has been designed to work at a maximum working pressure of 420 Bar

End Fittings/Connections

- 1/4" NPT Fixed male inlet - Brass
- 1/4" NPT Fixed Female outlet for interchangeable connectors - Brass

International Standards approvals

- ISO 1402 - Rubber & Plastic hoses – hydrostatic testing
- ISO 6803 - Rubber & Plastic hoses – Pressure impulses = 150,000.

Pressures

Design Pressure 420 Bar

Available Connections

Other standards available upon request

Part Number	Type No.	Typical Industrial gas applications			
		O2 *	Insert *	Flammable *	Other (Specialty/Mixes)
SAS-100-BS341-X	3,4,8 etc.	✓	✓	✓	Contact sales
SAS-100-NEVOC -X	30, 32 etc.	✓	✓	✓	Contact sales
SAS-100-DIN 477-X	3,4,8 etc.	✓	✓	✓	Contact sales
SAS-100-GCA-X	540,580 etc.	✓	✓	✓	Contact sales
SAS-100-XXX-X	Other	✓	✓	✓	Contact sales

Please note gas applications are standard specific, so connection/media type must be in accordance

Aeroflex Hose & Engineering Ltd.

Winchester House
11 Enterprise Way
Aviation Park West
Bournemouth Airport
Dorset BH23 6EW

T. **01202 895660**
F. **01202 891177**

www.aeroflex.co.uk

