

LCV

Cryogenic automatic valve



- ♦ Complete valve package for cryogenic liquefied gases
- ♦ Stainless steel investment casting body and flanges
- ♦ Blow-out proof stem design
- ♦ Live loaded stem packing
- ♦ Compact & strong actuator in low temperature version
- ♦ Integrated pilot valve and position feedback on request

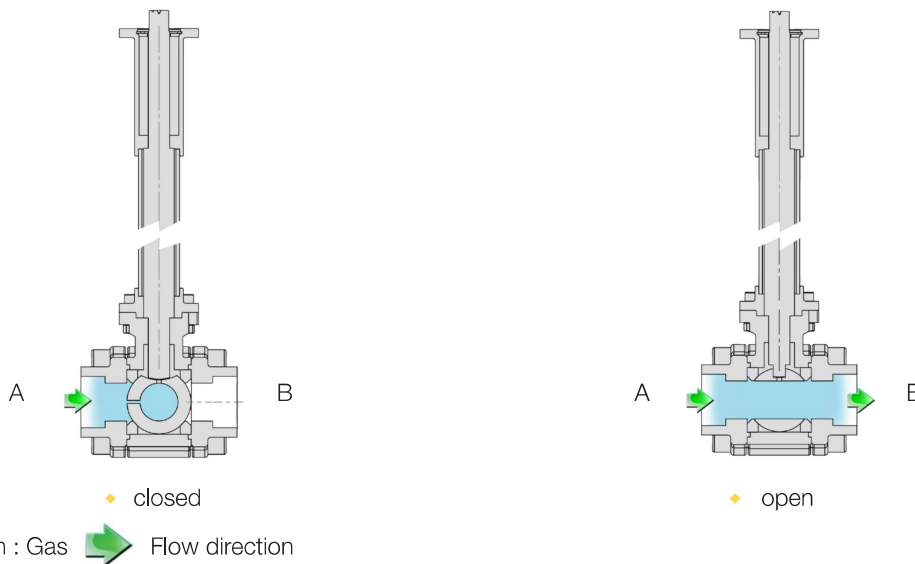
Complete valve unit series LCV is designed for cold service applications. The standard bonnet length complies with BS6364, which allow safe and efficient use of this valve at cryogenic services. The upstream relief hole in the ball eliminates the pressure build up due to thermal expansion and evaporation of fluids. All valves are delivered as complete packages for the automatic handling of cryogenic gases.

Technical data

- | | |
|--|--|
| <ul style="list-style-type: none"> ♦ Pressure range ♦ Connections ♦ Nominal diameter ♦ Media temperature ♦ Ambient temperature ♦ Actuation ♦ Kv-value ♦ Weight | <p>PN40</p> <p>Socked welded SW 1", conical nipple M40x2</p> <p>DN 25</p> <p>from - 196 °C to + 120 °C</p> <p>from - 20 °C to + 60 °C</p> <p>pneumatic operated</p> <p>75 m³/h</p> <p>9,30 kg</p> |
|--|--|

Version Oktober 2018

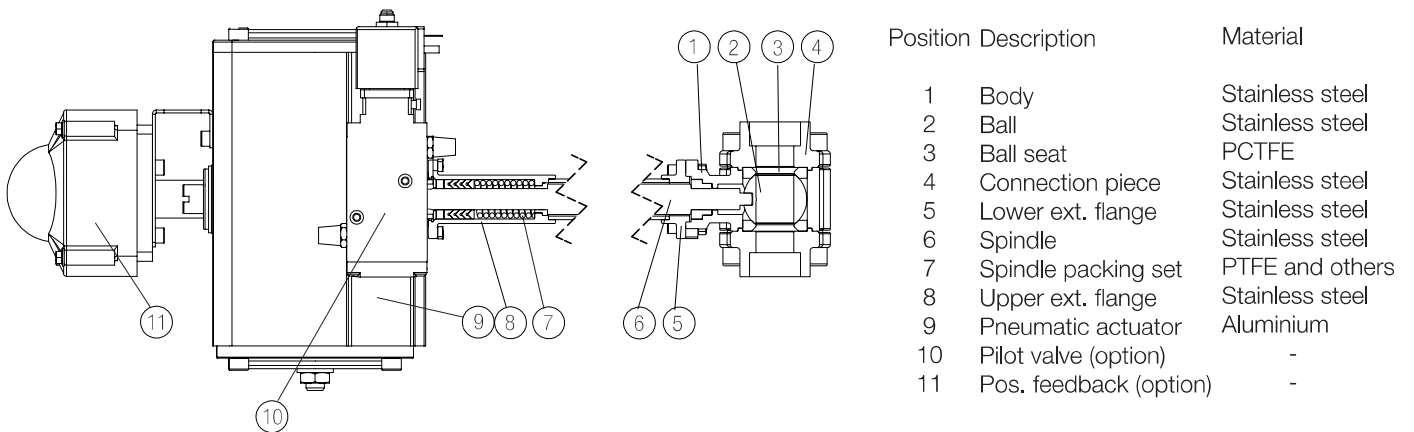
Function



Options with this valve type

- ◆ Connections
 - socket welding connection end (stainless steel) : SW 1"
 - for brazed conical nipple (stainless steel) : M40x2 (for Ø28 Cu tube)
- ◆ Limit switch
 - mechanical limit switch with visual indication, IP67
- ◆ Pilot valve 24V

Material specifications



Dimensions

