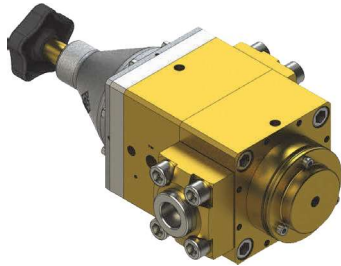


# HPG 12 HD

## Manual valve



- ♦ Medium : inert gases / rare gases / O<sub>2</sub> / CO<sub>2</sub> / air, other media on request
- ♦ This valve is pressure-balanced and suitable for high-pressure oxygen service
- ♦ Pressure sensor ports available as an option
- ♦ Approval : CTE 600 bar test

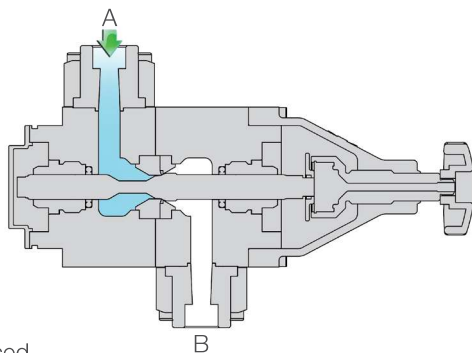
As market leader for high-pressure valves and systems for the gas filling industry we developed the new valve series HPG for 450 bar filling technology. These valves are designed for a service pressure of 600 bar. The HPG 12 HD are manually operated valves. These valves are opened and closed manually with a robust and ergonomic handwheel.

## Technical data

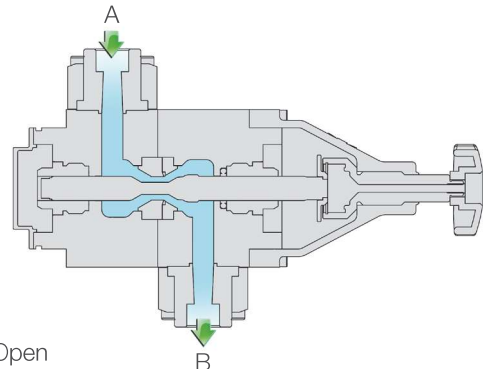
Version April 2016

♦ Pressure range	PN 600
♦ Standard Connections	SW 1/2"
♦ Nominal diameter	DN 12
♦ Actuation	Hand wheel
♦ Media temperature	from - 20 °C to + 65 °C
♦ Ambient temperature	from - 20 °C to + 60 °C
♦ Leak rate	10 <sup>-6</sup> mbar l/s
♦ Flow direction	A → B                      B → A
♦ Kv-value	4,5 m <sup>3</sup> /h                      4,3 m <sup>3</sup> /h
♦ Weight	14,8 kg (including connection adapter)

## Function



♦ Closed



♦ Open

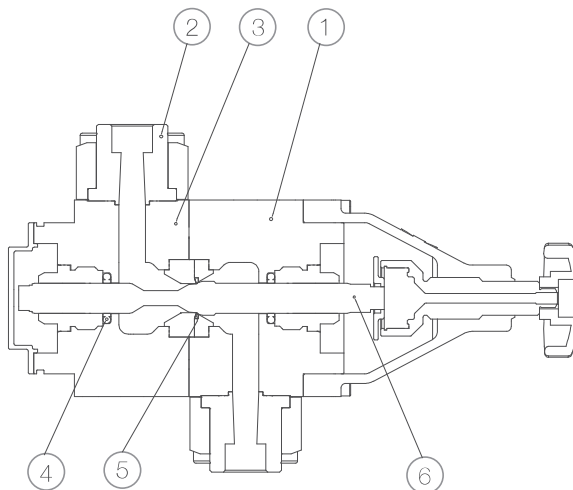
Medium : gas    Flow direction

## Options with this valve type

- ◆ Connections
  - Threaded female socket (stainless steel) : G 3/8
  - Weld-on end (stainless steel, Monel) : socket welding SW 1/2", 14mm
- ◆ Sensor ports for pressure registration / measuring NPT 1/4
- ◆ Assembly in compact manifolds (possibility to join up to 7 valves on 1 module)
- ◆ Regulating spindle for slow and controlled opening and closing of the valve available as an option
- ◆ Other options on request

## Material specification

Position	Description	Material
1	Upper valve body	Brass
2	Connection piece	Monel, stainless steel
3	Lower valve body	Brass
4	Spindle seal	Turcon®
5	Valve seat	Tecasint
6	Valve spindle	Monel



## Dimensions

