

HPG 12 PR

Proportional valve

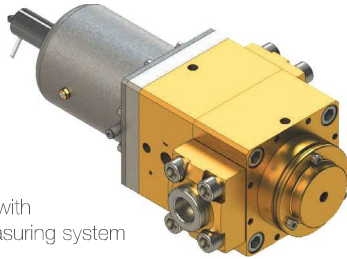


Illustration with
stroke measuring system

- ♦ Medium : inert gases / rare gases / O₂ / CO₂ / air, other media on request
- ♦ Suitable for high-pressure oxygen service
- ♦ Pressure sensor connectors available as an option
- ♦ Approval : CTE 600 bar test

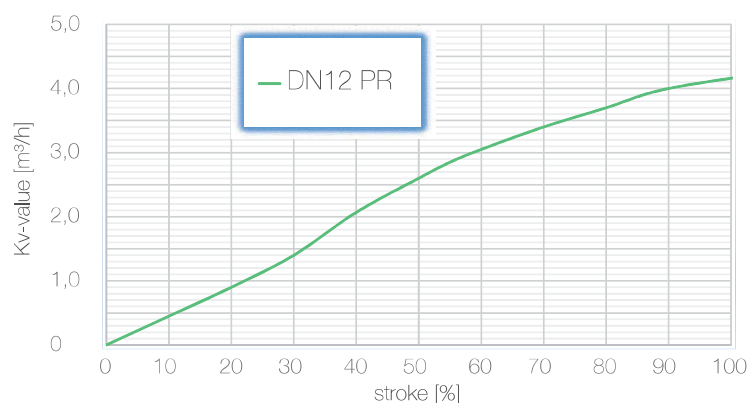
As market leader for high-pressure valves and systems for the gas filling industry we developed the new valve series HPG for 450 bar filling technology. These valves are designed for a service pressure of 600 bar. The valve type HPG 12 PR is a pressure balanced proportional valve with 12 mm seat. The position of the valve can be controlled by a standard signal, by an electro-pneumatic positioner and a stroke measuring system which detects the position of the valve.

Technical data

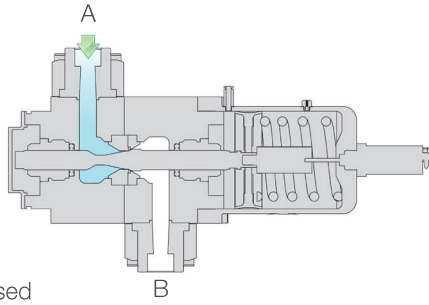
♦ Pressure range	PN 600
♦ Standard Connections	SW 1/2"
♦ Nominal diameter	DN 12
♦ Actuation	with an external positioner
♦ Pilot pressure	7 bar
♦ Pilot connections	4 mm
♦ Media temperature	from - 20 °C to + 65 °C
♦ Ambient temperature	from - 20 °C to + 60 °C
♦ Leak rate	10 ⁻⁶ mbar l/s
♦ Actuation time (opening / closing)	depending on set point
♦ Flow direction	A → B
♦ Kvs-value	4,2 m ³ /h
♦ Weight	15,7 kg (including connection adapter)

Version April 2016

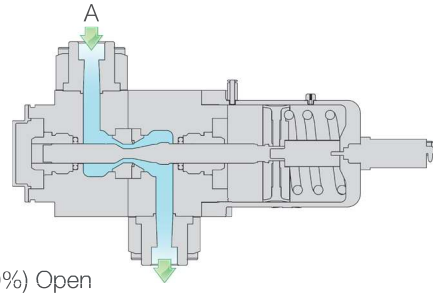
Flow coefficient (Kv) in relation to valve opening – diagram



Function



◆ Closed



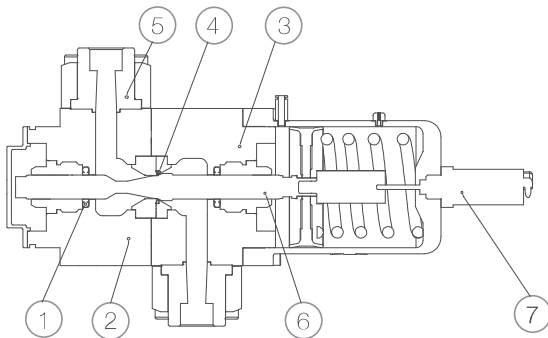
◆ (100%) Open

Medium : gas  Flow direction

Options with this valve type

- ◆ Connections
 - Threaded female socket (stainless steel) : G 3/8
 - Weld-on end (stainless steel, Monel) : socket welding SW 1/2", 14mm
- ◆ Sensor ports for pressure registration / measuring NPT 1/4
- ◆ Assembly in compact manifolds (possibility to join up to 7 valves on 1 module)
- ◆ Other options on request

Material specification



Position	Description	Material
1	Spindle seal	Turcon®
2	Lower valve body	Brass
3	Upper valve body	Brass
4	Valve seat	Tecasint
5	Connection piece	Monel, stainless steel
6	Valve spindle	Monel
7	Stroke measuring system	Aluminium

Dimensions

