

MPG 03 NC / NO

2/2 way valve (pneumatically operated)



Illustration NO

- ♦ Medium : inert gases / rare gases / O₂ / CO₂ / air, other media on request
- ♦ Function NC (normally closed) or NO (normally open)
- ♦ Suitable for high-pressure oxygen service
- ♦ Approval : BAM
- ♦ Conformity : ATEX

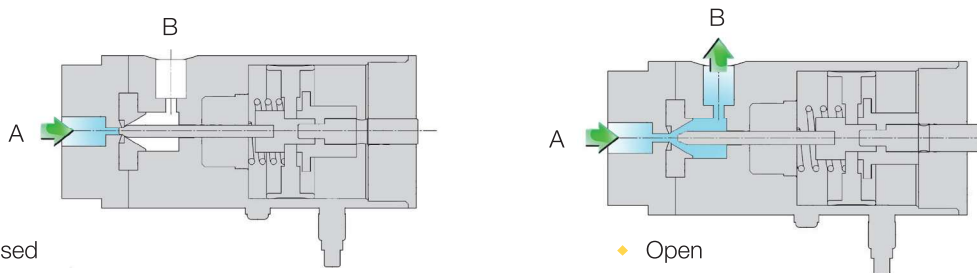
The valves MPG 03 NC (normally closed) and MPG 03 NO (normally open) are 2/2 way valves, which are pneumatically operated. By the use of pilot media, the valves open and close against the spring load (depending on the type of valve).

Technical data

Version February 2016

♦ Pressure range	PN 420
♦ Standard connections	G 1/4, NPT 1/4
♦ Nominal diameter	DN 03
♦ Actuation	3/2 way pilot valve
♦ Pilot pressure	7 bar
♦ Pilot connections	4 mm
♦ Media temperature	from -40 °C to +80 °C
♦ Ambient temperature	from -40 °C to +60 °C
♦ Leak rate	10 ⁻⁶ mbar l/s
♦ Actuation time / opening	Type NC 280 - 16000 ms (adjustable with nozzle) / type NO 80 ms
♦ Actuation time / closing	Type NC 80 ms / type NO 280 - 16000 ms (adjustable with nozzle)
♦ Flow direction	A → B B → A
♦ Kv-value	0,25 m ³ /h 0,29 m ³ /h
♦ Weight	2,0 kg

Function



♦ Closed

Medium : gas   Flow direction

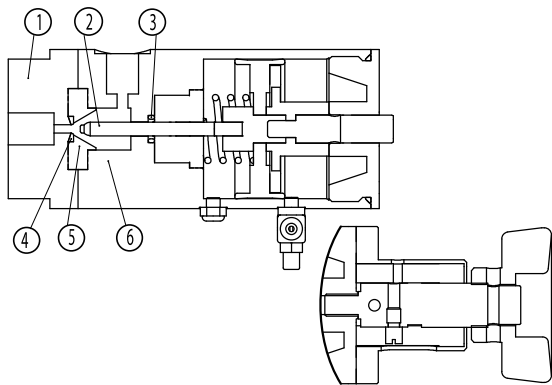
♦ Open

Illustration NO

Options with these valve types

- ◆ Connections
 - Threaded female socket (brass) G 1/4, NPT 1/4
 - Further connections available, wide range of adapters on stock
- ◆ Different types of limit switches available
- ◆ Pneumatic version with manual override available (type MPG 03 NC-HD)
- ◆ Assembly in compact manifolds (possibility to join up to 5 valves on 1 module)
- ◆ Other options on request

Material specification, Spare parts, Accessories



Position	Description	Material
1	Lower valve body	Brass
2	Valve spindle	Monel
3	Spindle seal	Turcon®
4	Valve seal	PEEK
5	Valve seat holder	Brass
6	Valve body	Brass

Detailed illustration of pneumatic version (Typ MPG 03 NC-HD)

Spare parts	Article number	
Seal kit for Standard valves:	20160	
◆ Pilot valve 3/2-way, 24V DC:	10314	
Assembly with 5 m cable:	10315	
Assembly with 10 m cable:	10316	
◆ Limit switch (NC or NO)	2-wire	3-wire
Assembly without cable:	12029	12033
Assembly with 5 m cable:	12027	12031
Assembly with 10 m cable:	12028	12032

Dimensions

