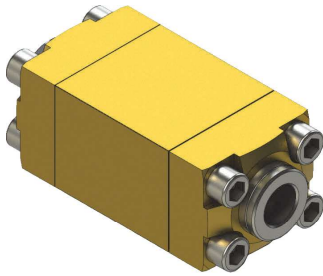


HPG 12 CV

Non-return valve



- ♦ Medium : inert gases / rare gases / O₂ / CO₂ / air, other media on request
- ♦ Rugged design, resistant against pressure strokes
- ♦ Approval : CTE 600 bar test

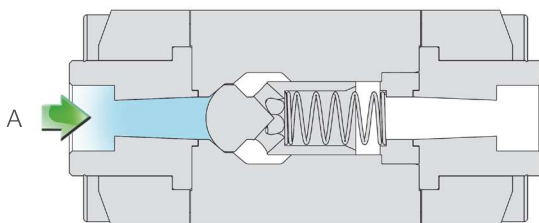
As market leader for high-pressure valves and systems for the gas filling industry we developed the new valve series HPG for 450 bar filling technology. These valves are designed for a service pressure of 600 bar. The valve type HPG 12 CV is a non-return valve and a must-have for all gas filling applications. The rugged design of this valve ensures a special resistance against high pressure strokes. The non-return valve prevents the backflow of the medium by closing and protects the filling process.

Technical data

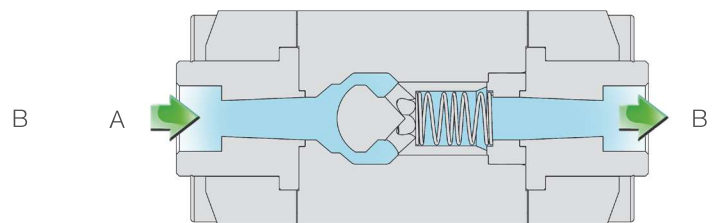
Version April 2018

♦ Pressure range	PN 600
♦ Standard connections	SW 1/2"
♦ Nominal diameter	DN 12
♦ Media temperature	from -20 °C to +65 °C
♦ Ambient temperature	from -20 °C to +60 °C
♦ Leak rate	10 ⁻⁶ mbar l/s
♦ Flow direction	A → B
♦ Opening pressure	0,25 bar
♦ Kv-value	5,0 m ³ /h
♦ Weight	4,5 kg (including connection adapter)

Function



♦ Closed



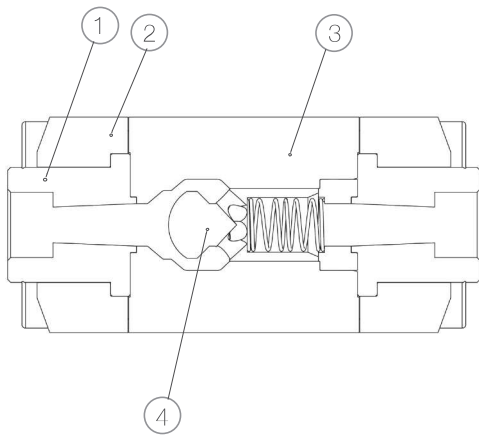
♦ Open

 Medium : gas  Flow direction

Options with this valve type

- ◆ Connections
 - Threaded female socket (stainless steel) : G 3/8
 - Weld-on end (stainless steel, Monel) : socket welding SW 1/2", 14mm
- ◆ Further filter sizes can be inserted afterwards
- ◆ Assembly in compact manifolds (possibility to join up to 7 valves on 1 module)

Material specification



Position	Description	Material
1	Connection piece	Monel, stainless steel
2	Flange	Brass
3	Valve body	Brass
4	Valve spindle	Monel, stainless steel

Dimensions

